



RUGGED DISPLAY & CONTROLLER

WR-DISP-SYS-01



YOU'RE ALREADY CARRYING A COMPUTER - NOW CONNECT A DISPLAY

An EUD for End Users – Your direct interface to the networked battlefield. Complete situational awareness is now at your fingertips. Connect the RDC to the MPU5 to enable Command & Control of unmanned systems, TAK operations, streaming HD video, Wave Relay® MANET configuration, and more.

INTEGRATED, LOW SWaP SOLUTION

- Eliminate excess cabling
- MPU5 functions as USB Hub - No external USB Hub required
- Powered by the MPU5 - no external power, configuration, or commercial cell phone required

DRIVE, FLY, & LEVERAGE ANY ASSET

- Interact with assets on a common network – the Wave Relay® MANET
- Run apps from Ecosystem Partners directly on the MPU5 and control them with the RDC

DESIGNED FOR THE BATTLEFIELD

- Ruggedized, IP68 rated design allows you to take the RDC anywhere
- Physical buttons for no-look operation
- Developer-supported app optimization
- Discreet digital signature – no Bluetooth, WiFi, LTE, near-field communication, and location sharing/tagging
- Includes Juggernaut chest mount

STREAMLINED CONFIGURATION MANAGEMENT

- No phone rootkit or micro-SD cards makes configuring your kit simple and easy
- MPU5-based network-wide app and firmware upgrades
- Eliminate the recurring annual costs of commercial cell phones
- Provision nodes quickly with the Rapid Configuration Tool (RCT)

NO NDA REQUIRED

© 2006 - 2024 Persistent Systems, LLC. All rights reserved. The Wave Relay® logo, the Persistent Systems, LLC logo and other designated trademarks and trade names are the property of Persistent Systems, LLC or their respective owners. Product specifications are subject to change without notice. This material is provided for informational purposes only; Persistent Systems, LLC assumes no liability related to its use and expressly disclaims any implied warranties of merchantability or fitness for any particular purpose.

The export and/or the release of certain products, technology and software to non-US persons might be subject to export restrictions. Please refer to the US export laws & regulations for details.

SPECIFICATIONS

Camera

Location
(1) Rear-Facing

Resolution
5 MP

Display

Display Type

Thin-Film-Transistor Liquid Crystal Display (TFT)

Size
5.7 in.
14.5cm

Resolution
720x1280

Aspect Ratio
9:16

Orientation
Landscape & Vertical

Luminance

100% brightness = 429.72 nits
75% brightness = 334.33 nits
50% brightness = 215.87 nits
25% brightness = 124.91 nits
0% brightness = 12.00 nits

Viewing Angle
 $\pm 80^\circ$

Viewability
Direct sunlight viewable

Contrast Ratio
900:1

Backlight
Visible in sunlight

Glass
2mm Gorilla® Glass

Electrical

Power Source
Powered by MPU5 – no additional battery required

Power Consumption
0.47W (Screen Off)
1.67W (100% brightness)

Environmental

IP Rating
IP68

Operating Temperature
 -20° to $+70^\circ\text{C}$

Features & Capabilities

Joysticks
(2) 2-Axis Joysticks

Sensors
Accelerometer/Gyrometer,
Compass, Temperature, Pressure,
2x Light

Buttons
(14) total buttons
Button spring force prevents
unintentional activation by water
pressure up to 20m

Mouse Mode
Pressing the **fn** and **A** buttons
simultaneously allows user to
control cursor with left joystick and
click with the **A** button

Physical

Material
Aluminum

Finish
Cerakote™

Color
Flat Dark Earth

Dimensions
7.2 x 4.2 x 1.0 in.
18.29 x 10.67 x 2.54 cm

Weight
15.59 oz.
442 g

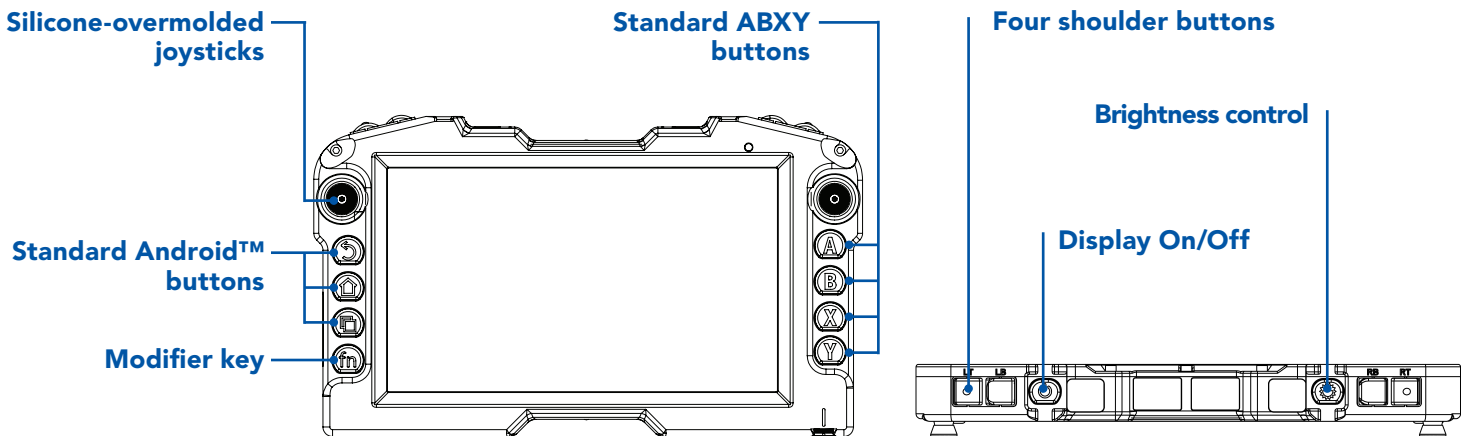
Mounting
Includes Juggernaut Chest mount
1/4-20 threaded hole for tripod or
other mounting system

Interfaces
Connects to Dual PTT USB Port

Touch Screen

Technology
Projected Capacitive

Multi-Touch
5-point



NO NDA REQUIRED

© 2006 - 2024 Persistent Systems, LLC. All rights reserved. The Wave Relay® logo, the Persistent Systems, LLC logo and other designated trademarks and trade names are the property of Persistent Systems, LLC or their respective owners. Product specifications are subject to change without notice. This material is provided for informational purposes only; Persistent Systems, LLC assumes no liability related to its use and expressly disclaims any implied warranties of merchantability or fitness for any particular purpose.

The export and/or the release of certain products, technology and software to non-US persons might be subject to export restrictions. Please refer to the US export laws & regulations for details.

[persistentsystems.com](https://www.persistent-systems.com)